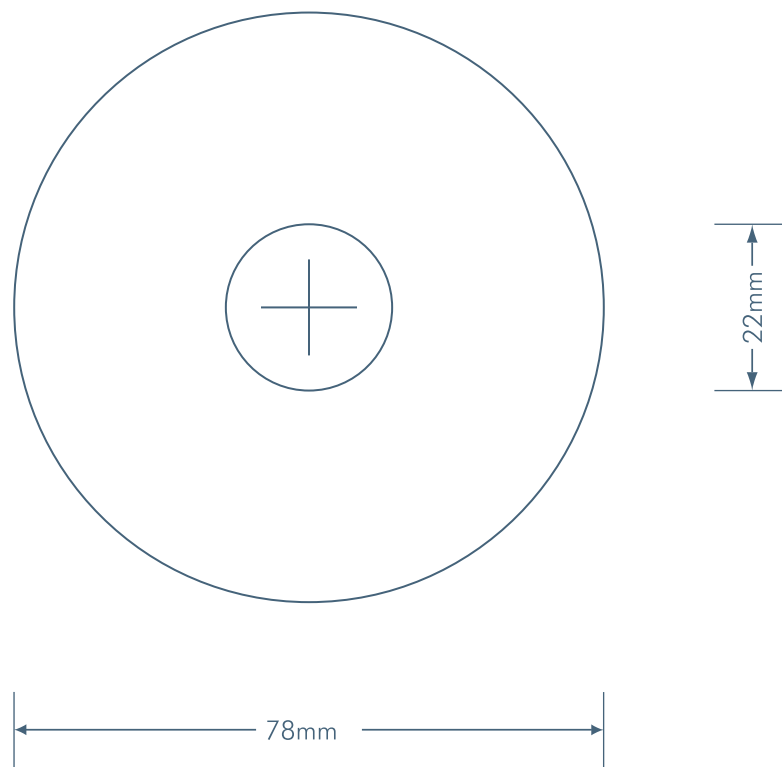




# MINI CD SCREEN PRINT TEMPLATE

**dynamic media inc**  
2070 Speers Rd Unit 3  
Oakville ON L6K 3R6  
t. 905.844.9399  
f. 905.844.9499  
www.cd2go.com



## Print Area - Keep graphics within blue lines. Do not design a bleed.

All artwork and elements must be supplied in CMYK or PMS color. For best results, all images must have a resolution of 300dpi or higher.

**Program files accepted:** Adobe Illustrator, QuarkXPress and CorelDraw. Other formats may cause delays and extra charges.

The completed artwork file may be supplied to us on disc or transferred electronically via FTP or email. All fonts must be converted to outlines/curves. Please supply us with a high quality color output for reference. While we print to industry accepted standards, we can not guarantee exact colour matching.

## Dimensions

78mm diameter  
outer edge of print

22mm diameter  
inner edge of print